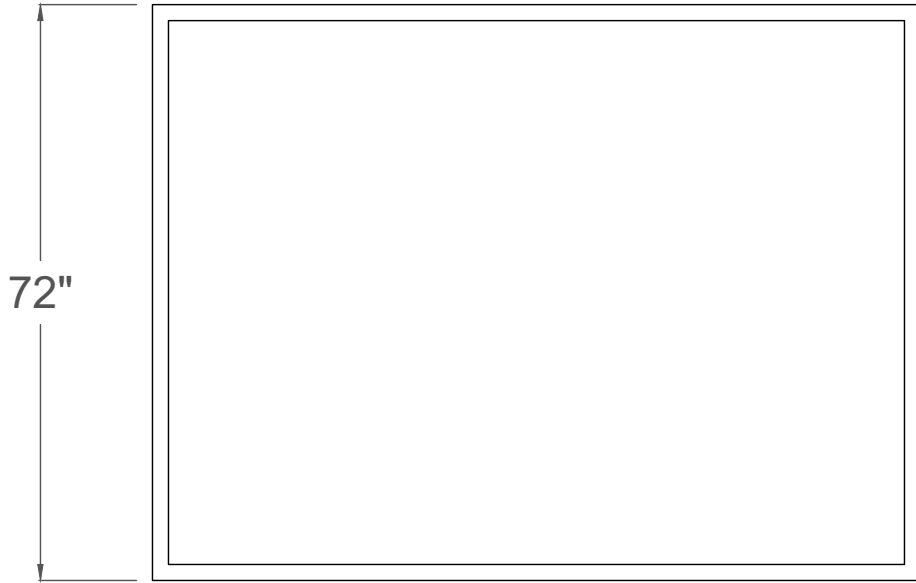
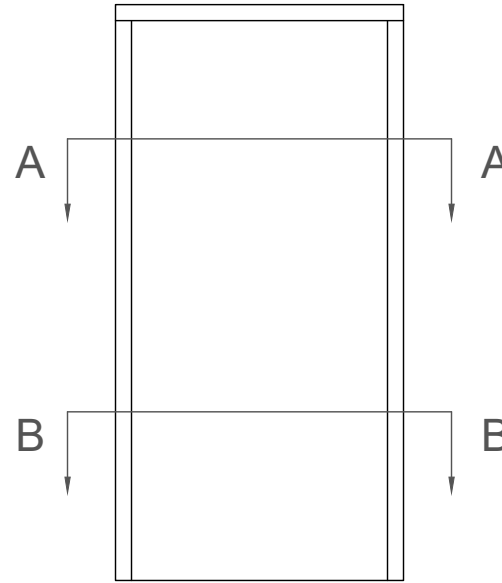


TOP



FRONT



SIDE

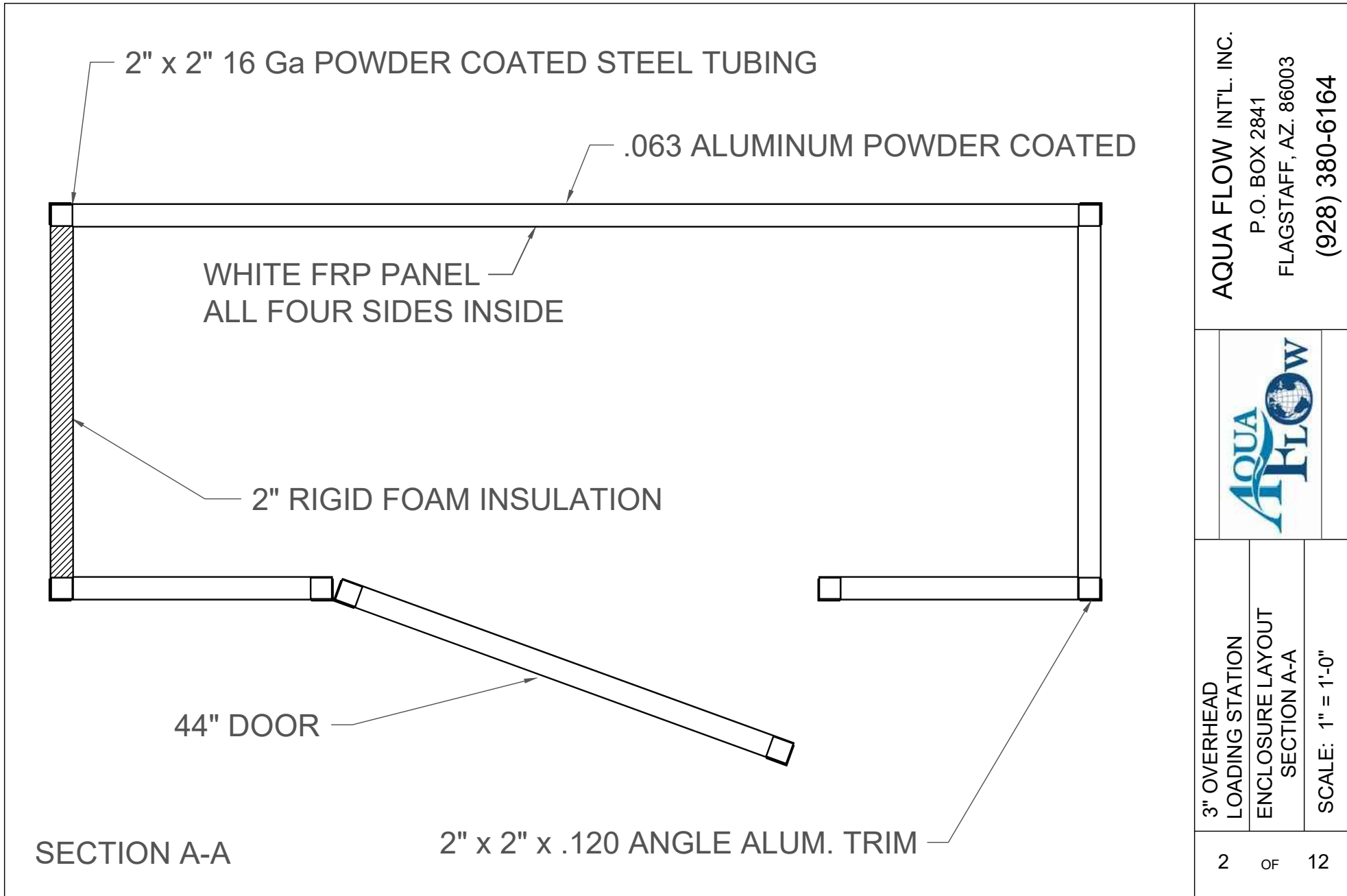
AQUA FLOW INT'L. INC.
 P.O. BOX 2841
 FLAGSTAFF, AZ. 86003
 (928) 380-6164



3" OVERHEAD
 LOADING STATION

ENCLOSURE LAYOUT

SCALE: 1/2" = 1'-0"

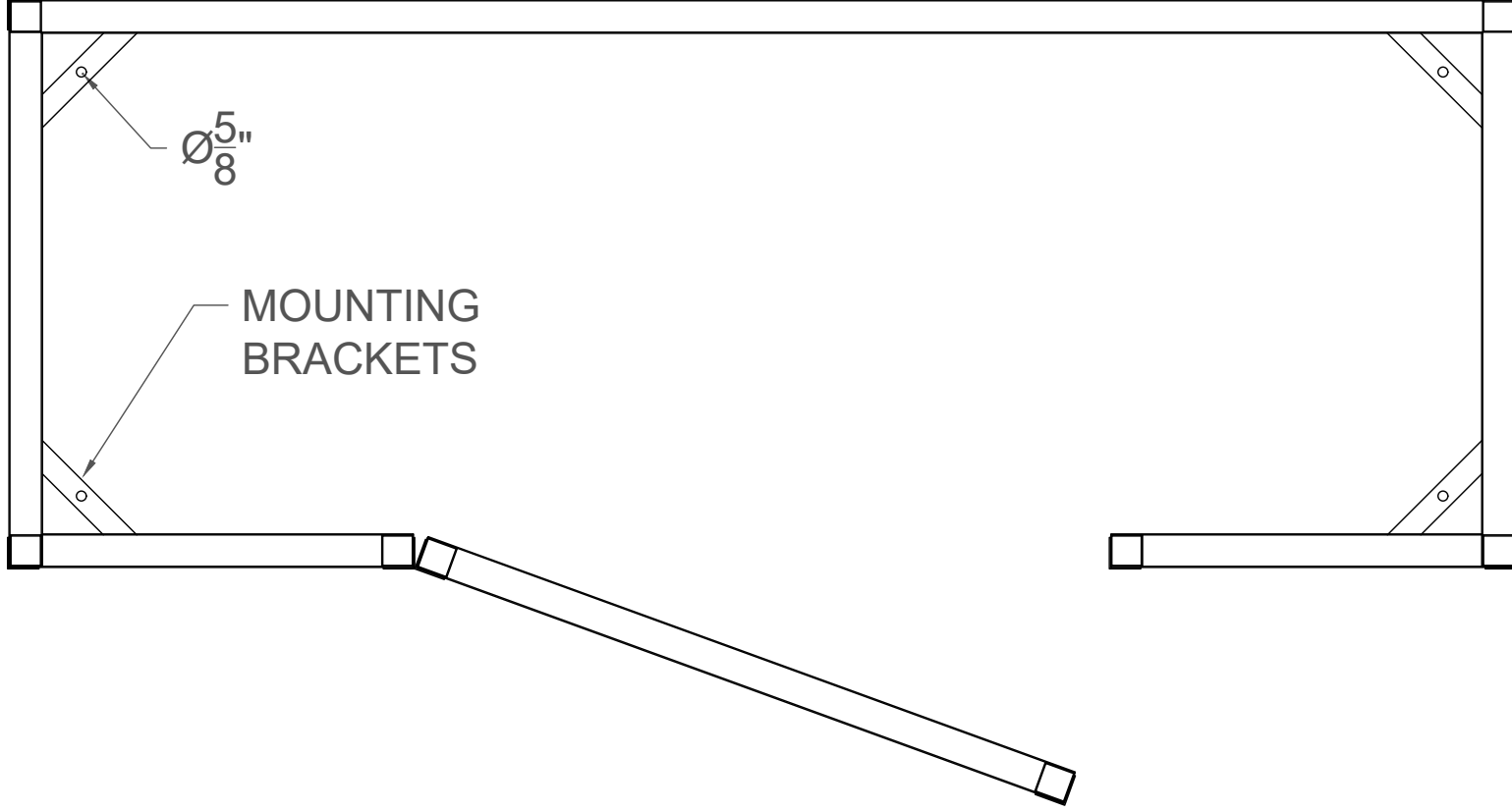


AQUA FLOW INT'L. INC.
 P.O. BOX 2841
 FLAGSTAFF, AZ. 86003
 (928) 380-6164



3" OVERHEAD
 LOADING STATION
 ENCLOSURE LAYOUT
 SECTION A-A
 SCALE: 1" = 1'-0"

SECTION B-B

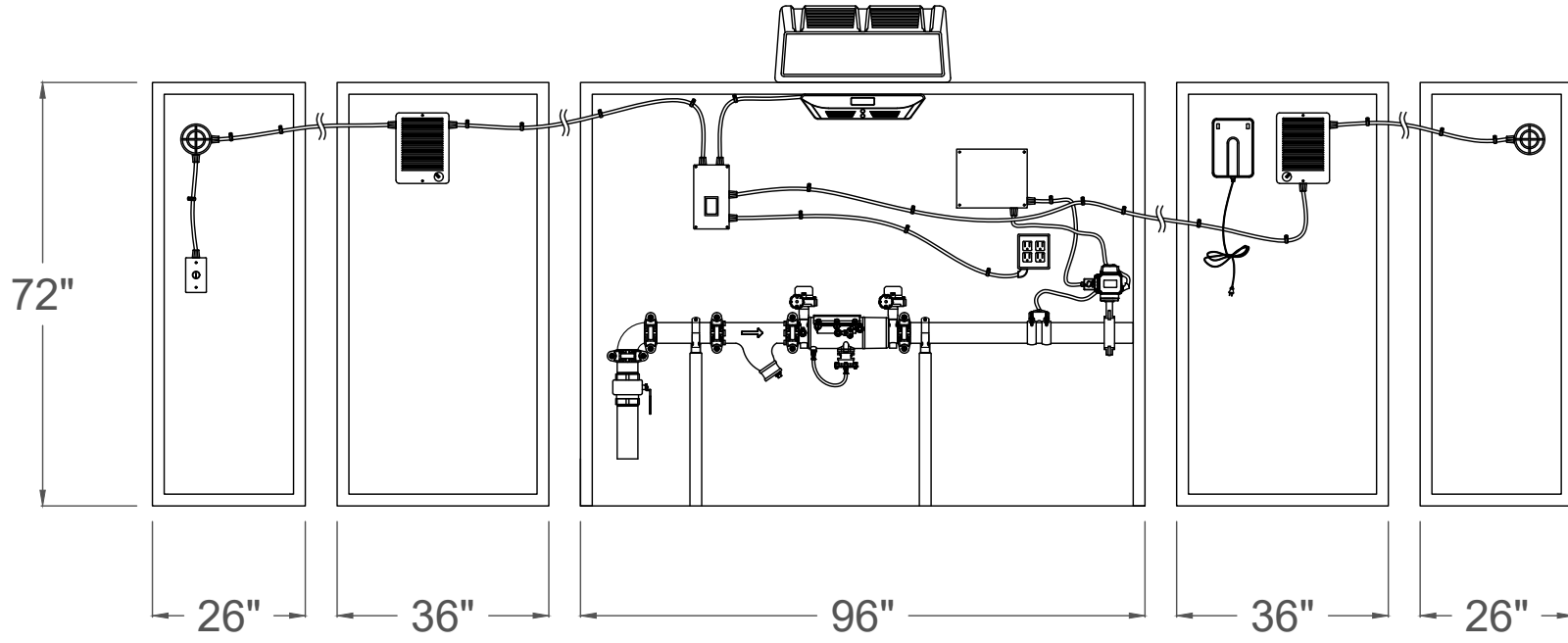


3" OVERHEAD
LOADING STATION
ENCLOSURE LAYOUT
SECTION B-B

SCALE: 1" = 1'-0"



AQUA FLOW INT'L. INC.
P.O. BOX 2841
FLAGSTAFF, AZ. 86003
(928) 380-6164



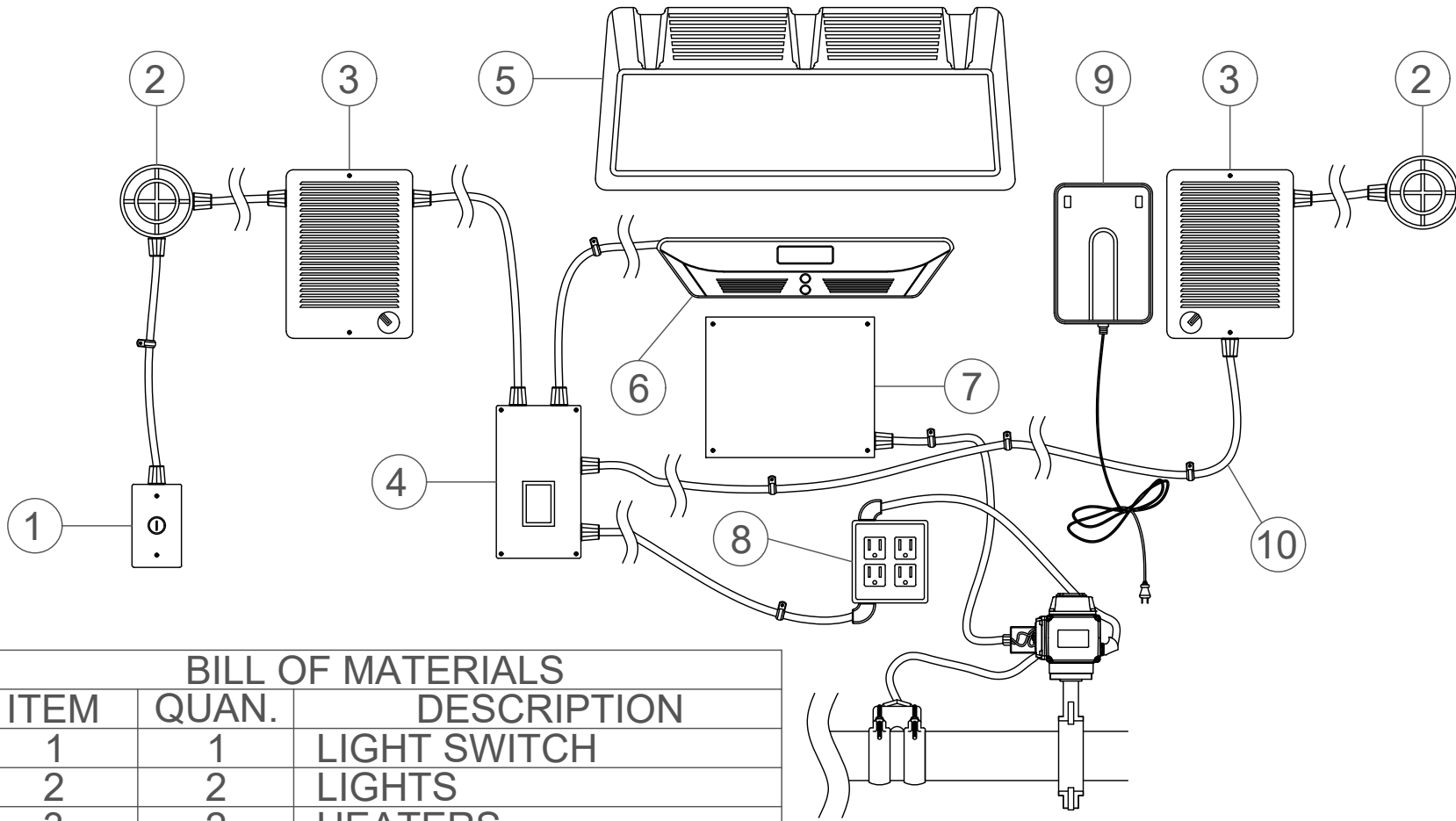
3" OVERHEAD
LOADING STATION

COMPONENT LAYOUT

SCALE: 3/8" = 1'-0"

AQUA FLOW INT'L. INC.
P.O. BOX 2841
FLAGSTAFF, AZ. 86003
(928) 380-6164





BILL OF MATERIALS

ITEM	QUAN.	DESCRIPTION
1	1	LIGHT SWITCH
2	2	LIGHTS
3	2	HEATERS
4	1	SUB PANEL
5	1	AIR CONDITIONER
6	1	DIFUSOR
7	1	CUSTOMER INTERFACE
8	1	RECEPTICLE
9	1	UPS
10		1/2" LFMS

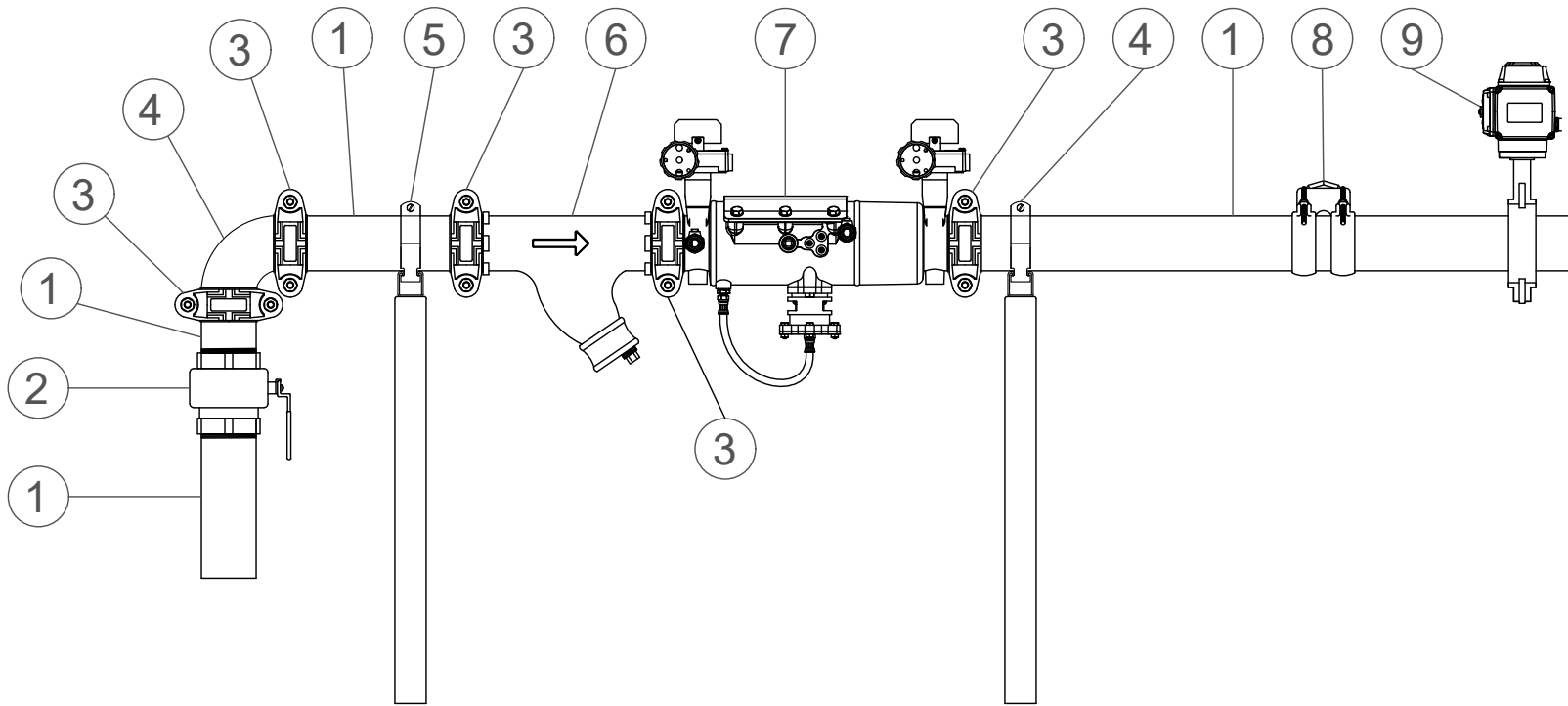
AQUA FLOW INT'L. INC.
P.O. BOX 2841
FLAGSTAFF, AZ. 86003
(928) 380-6164



**3" OVERHEAD
LOADING STATION**

ELECTRICAL COMPONENTS

SCALE: 1" = 1'-0"



BILL OF MATERIALS		
ITEM	QUAN.	DESCRIPTION
1	4	3" PIPE
2	1	GATE VALVE
3	5	CLAMP
4	1	ELBOW
5	2	UNISTRUT CLAMP
6	1	STRAINER
7	1	BACK FLOW
8	1	FLOW SENSOR
9	1	BUTTERFLY VALVE

AQUA FLOW INT'L. INC.
P.O. BOX 2841
FLAGSTAFF, AZ. 86003
(928) 380-6164



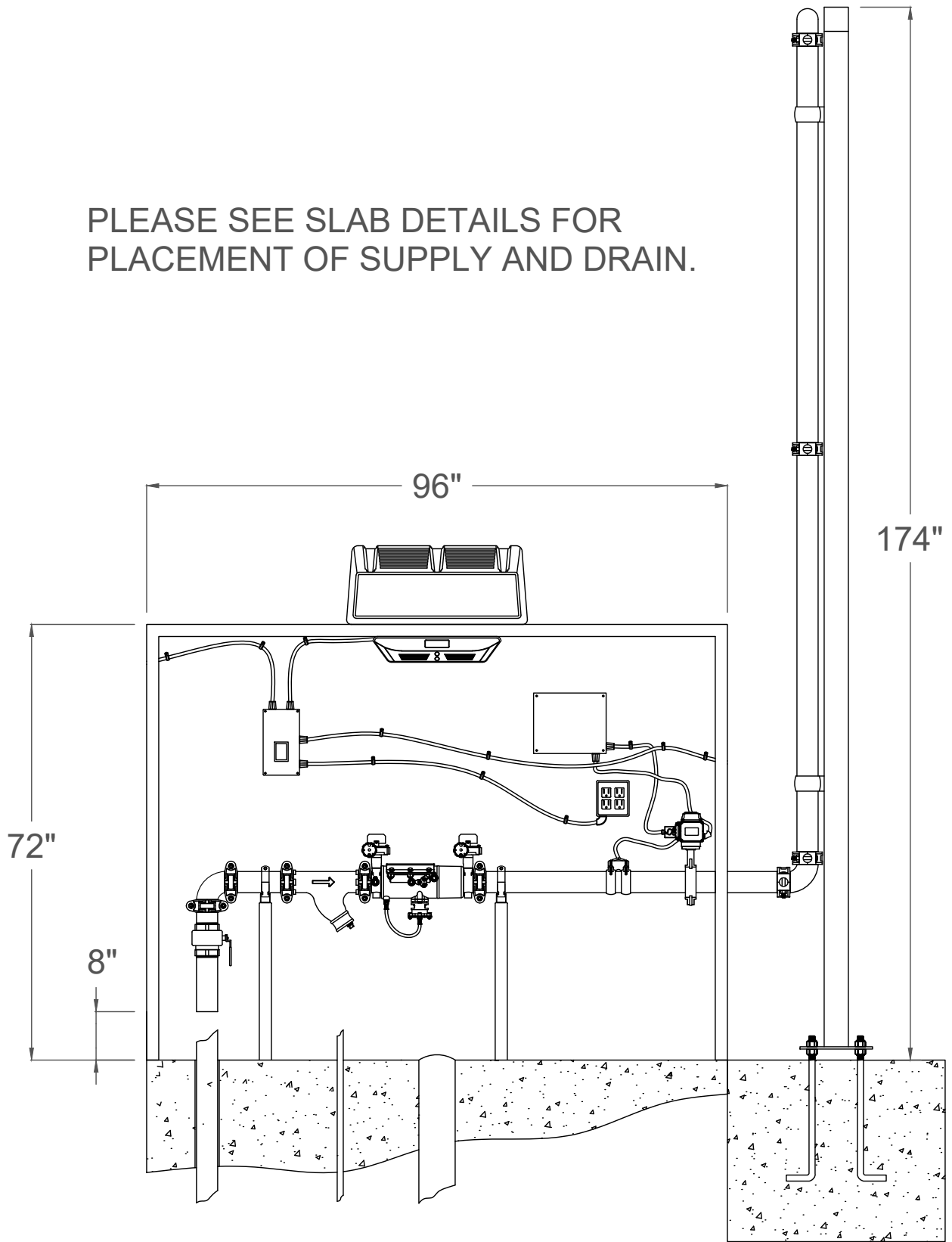
3" OVERHEAD
LOADING STATION

PLUMBING COMPONENTS

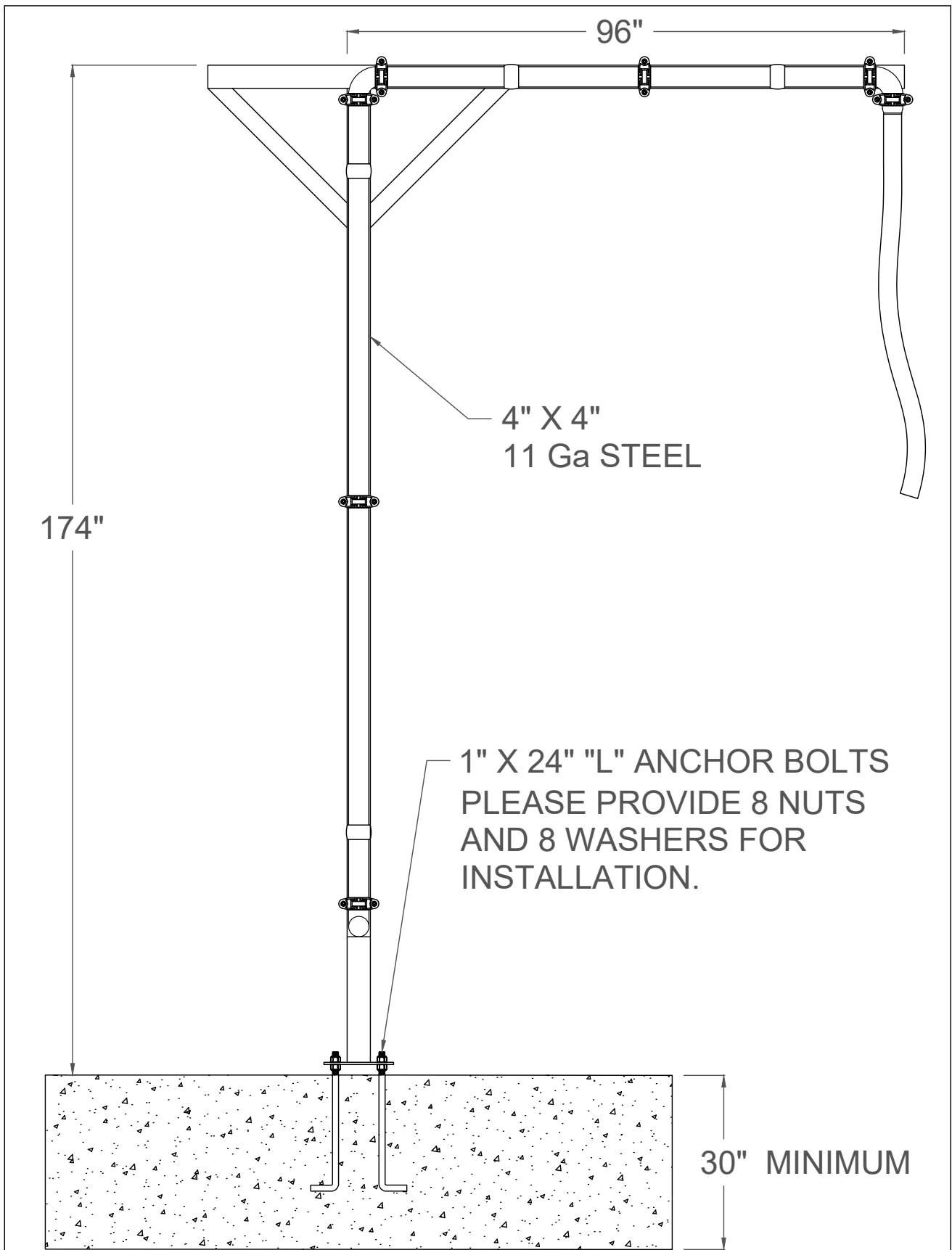
SCALE: 1" = 1'-0"

6 OF 12

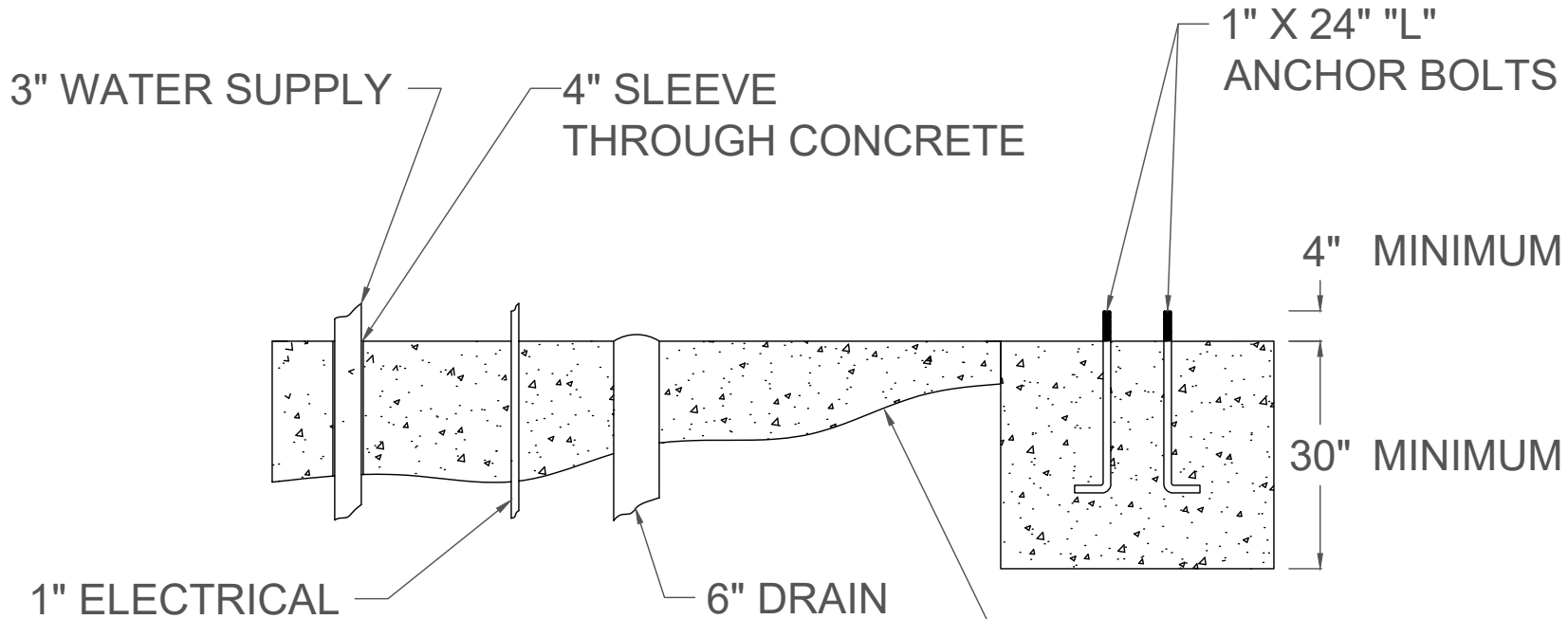
PLEASE SEE SLAB DETAILS FOR
PLACEMENT OF SUPPLY AND DRAIN.



7 OF 12	3" OVERHEAD LOADING STATION		AQUA FLOW INT'L. INC. P.O. BOX 2841 FLAGSTAFF, AZ. 86003 (928) 380-6164
	ENCLOSURE LAYOUT PLUMBING / ELECTRICAL		
	SCALE: 1/2" = 1"-0"		



8 OF 12	3" OVERHEAD LOADING STATION		AQUA FLOW INT'L. INC. P.O. BOX 2841 FLAGSTAFF, AZ. 86003 (928) 380-6164
	OVERHEAD ARM DETAIL		
	SCALE: 1/2" = 1"-0"		



SLAB TO HAVE FOOTINGS AND REBAR TO LOCAL CODE.

SLAB UNDER OVERHEAD SUPPORT POST SHOULD BE A MINIMUM OF 30" - PLEASE CHECK WITH YOUR ENGINEER FOR THE APPROPRIATE DEPTH FOR YOUR SOIL CONDITIONS.

PLEASE SEE SLAB DETAILS FOR PLACEMENT OF SUPPLY AND DRAIN.

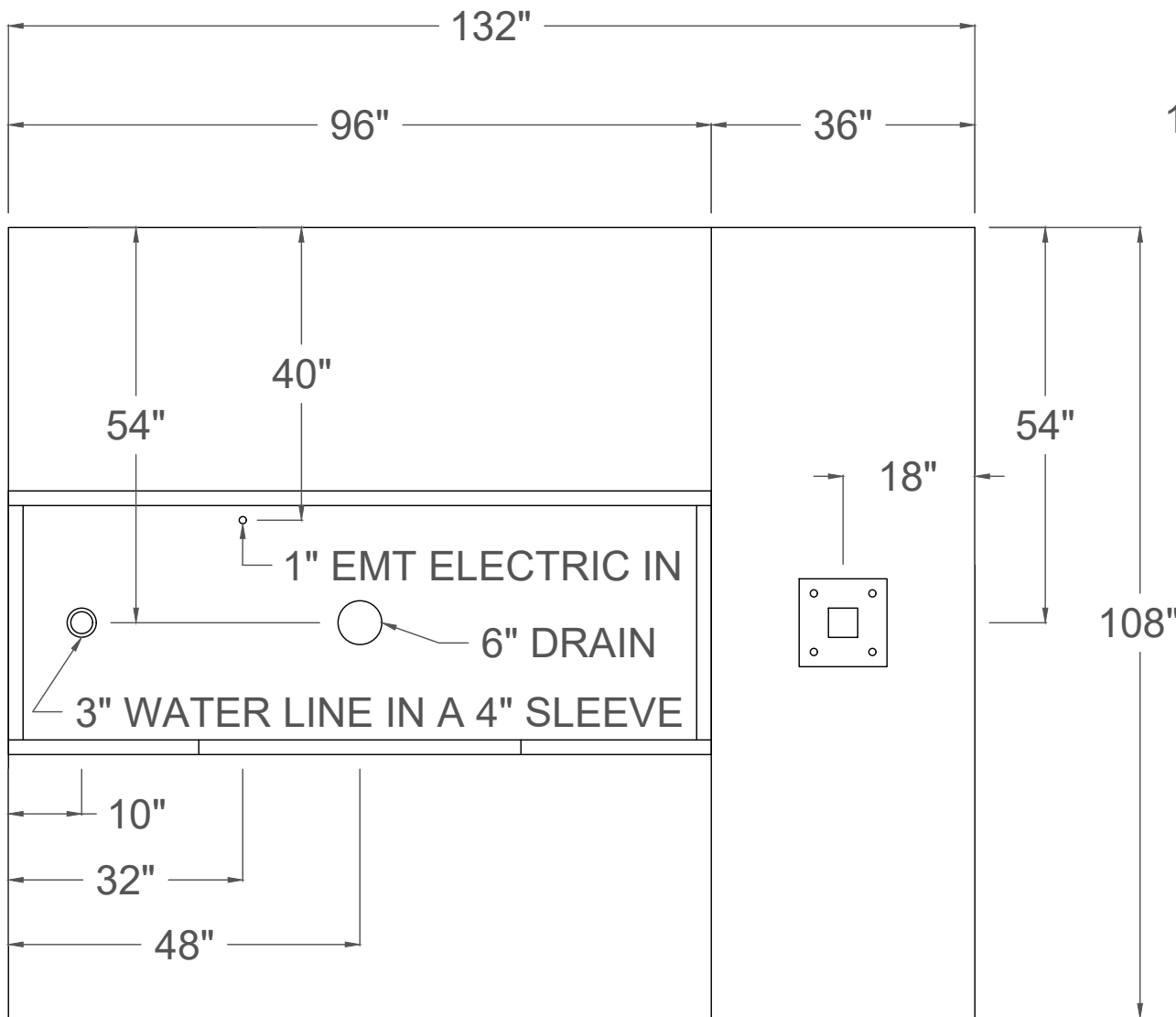
AQUA FLOW INT'L. INC.
 P.O. BOX 2841
 FLAGSTAFF, AZ. 86003
 (928) 380-6164



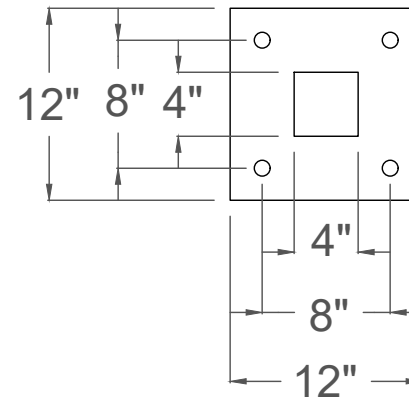
3" OVERHEAD
LOADING STATION

SLAB LAYOUT ELEVATION

SCALE: 1/2" = 1'-0"



SLAB LAYOUT
1/2" = 1' - 0"



OVERHEAD
SUPPORT
POST
1" X 24" "L"
ANCHOR
LAYOUT
1" = 1' - 0"

AQUA FLOW INT'L. INC.
P.O. BOX 2841
FLAGSTAFF, AZ. 86003
(928) 380-6164



3" OVERHEAD
LOADING STATION

SLAB LAYOUT DETAIL

SCALE: AS NOTED

10 OF 12

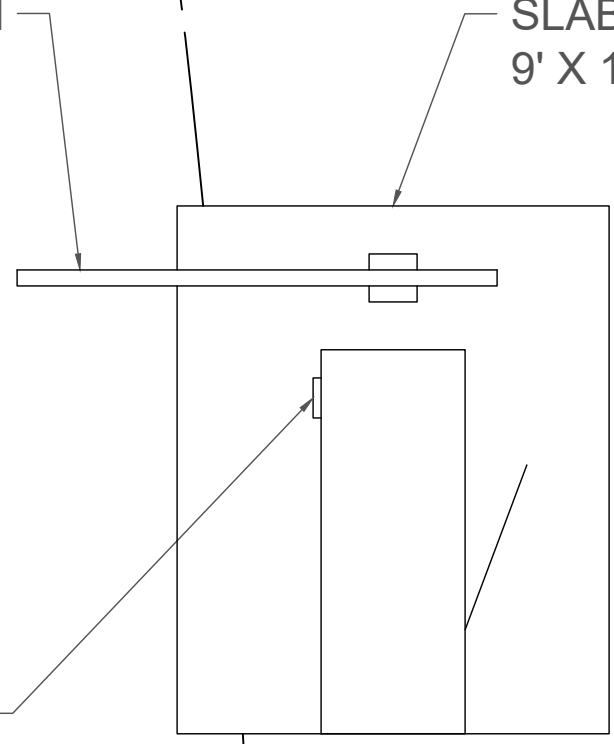
OVERHEAD ARM

SLAB
9' X 11'

CUSTOMERS
LOAD THIS
SIDE

ACCESS
DOOR
SIDE

CUSTOMER
INTERFACE



AQUA FLOW INT'L. INC.
 P.O. BOX 2841
 FLAGSTAFF, AZ. 86003
 (928) 380-6164



3" OVERHEAD
LOADING STATION

SAMPLE SITE DRAWING

SCALE: 1/4" = 1'-0"

DRAWING SCHEDULE 3" OVERHEAD

PDF LABEL	DRAWING NUMBER	DRAWING NAME
A3O1	1 of 12	ENCLOSURE LAYOUT
A3O2	2 of 12	ENCLOSURE LAYOUT SECTION A-A
A3O3	3 of 12	ENCLOSURE LAYOUT SECTION B-B
A3O4	4 of 12	COMPONENT LAYOUT
A3O5	5 of 12	ELECTRICAL COMPONENTS
A3O6	6 of 12	PLUMBING COMPONENTS
A3O7	7 of 12	PLUMBING / ELECTRICAL
A3O8	8 of 12	OVERHEAD ARM DETAIL
A3O9	9 of 12	SLAB LAYOUT ELEVATION
A3O10	10 of 12	SLAB LAYOUT DETAIL
A3O11	11 of 12	SAMPLE SITE DRAWING
A3O12	12 of 12	DRAWING SCHEDULE